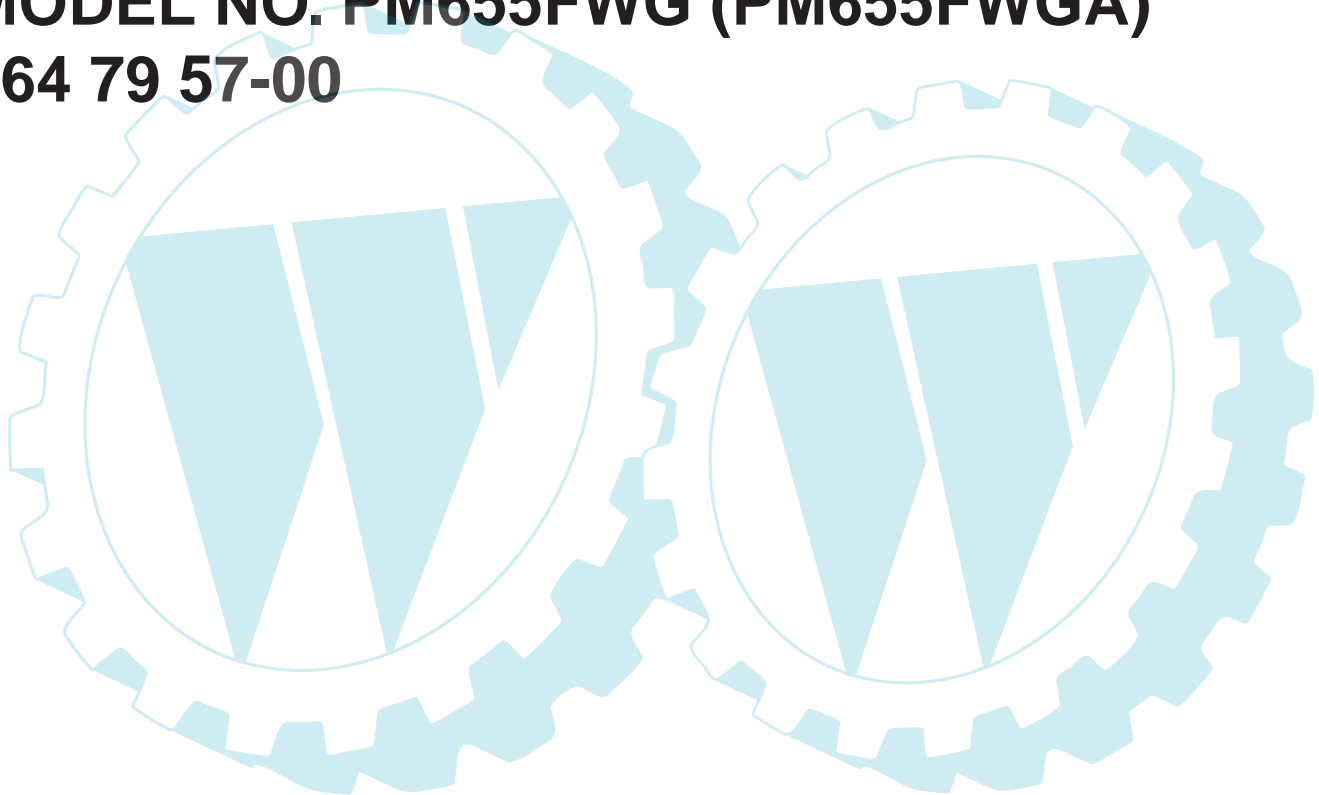
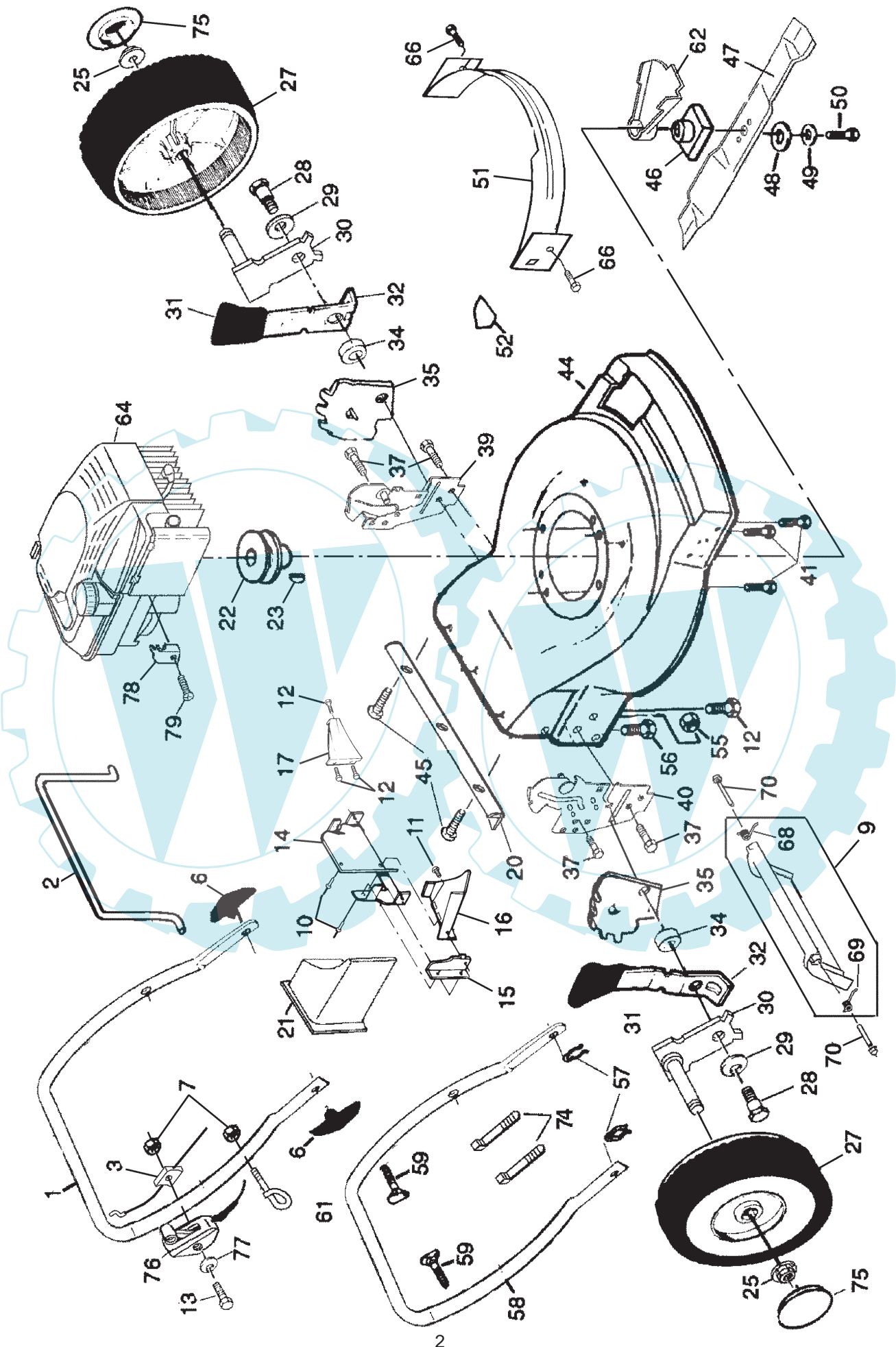


ILLUSTRATED PARTS BREAKDOWN

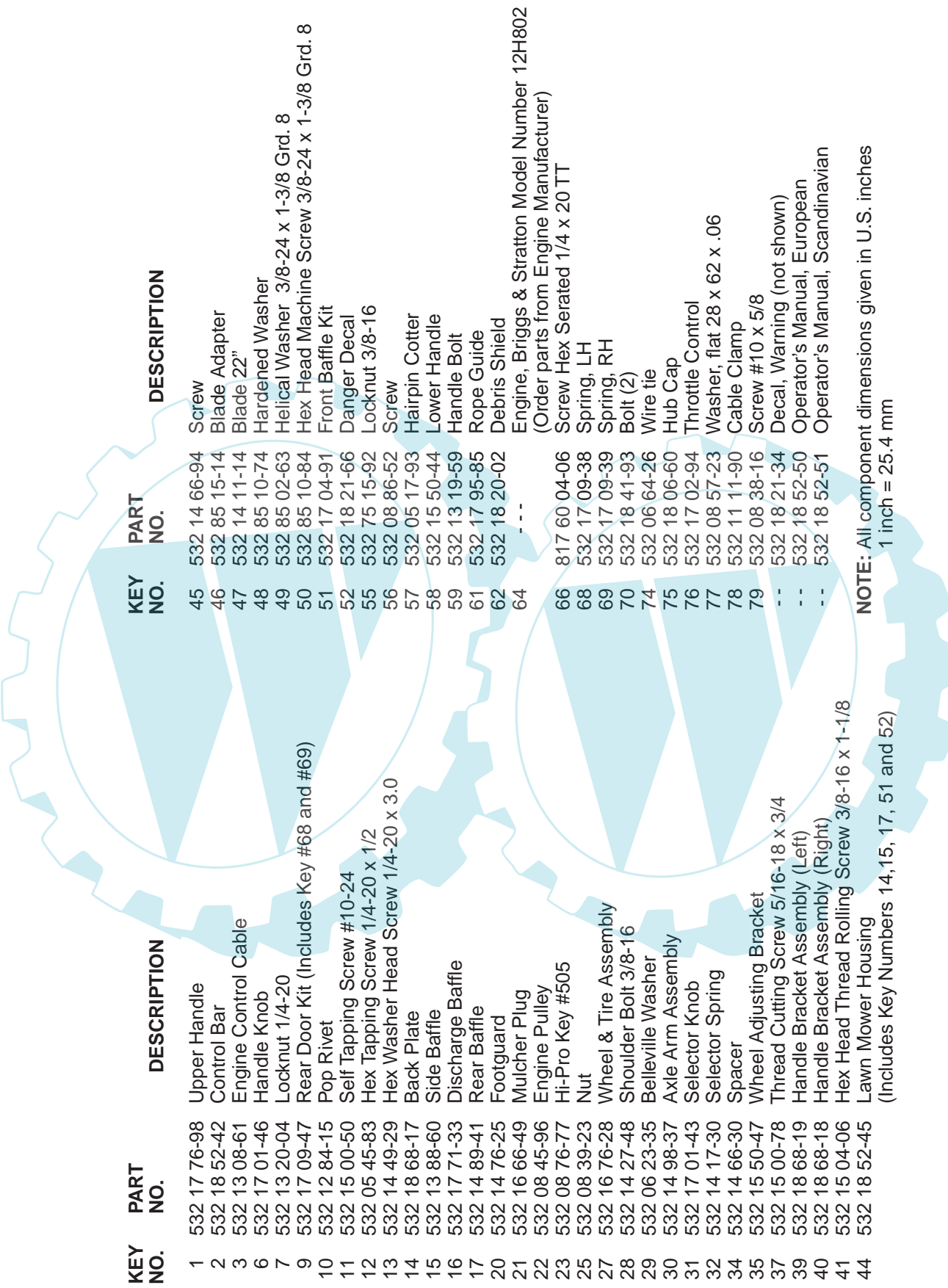
**PRO MAC
6.0 HORSEPOWER
22" REAR DISCHARGE LAWN MOWER
MODEL NO. PM655FWG (PM655FWGA)
964 79 57-00**



ROTARY LAWN MOWER -- MODEL NUMBER PM655FWG (PM655FWGA) PRODUCT NUMBER 964 79 57-00



ROTARY LAWN MOWER - - MODEL NUMBER PM655FWG (PM655FWGA) PRODUCT NUMBER 964 79 57-00

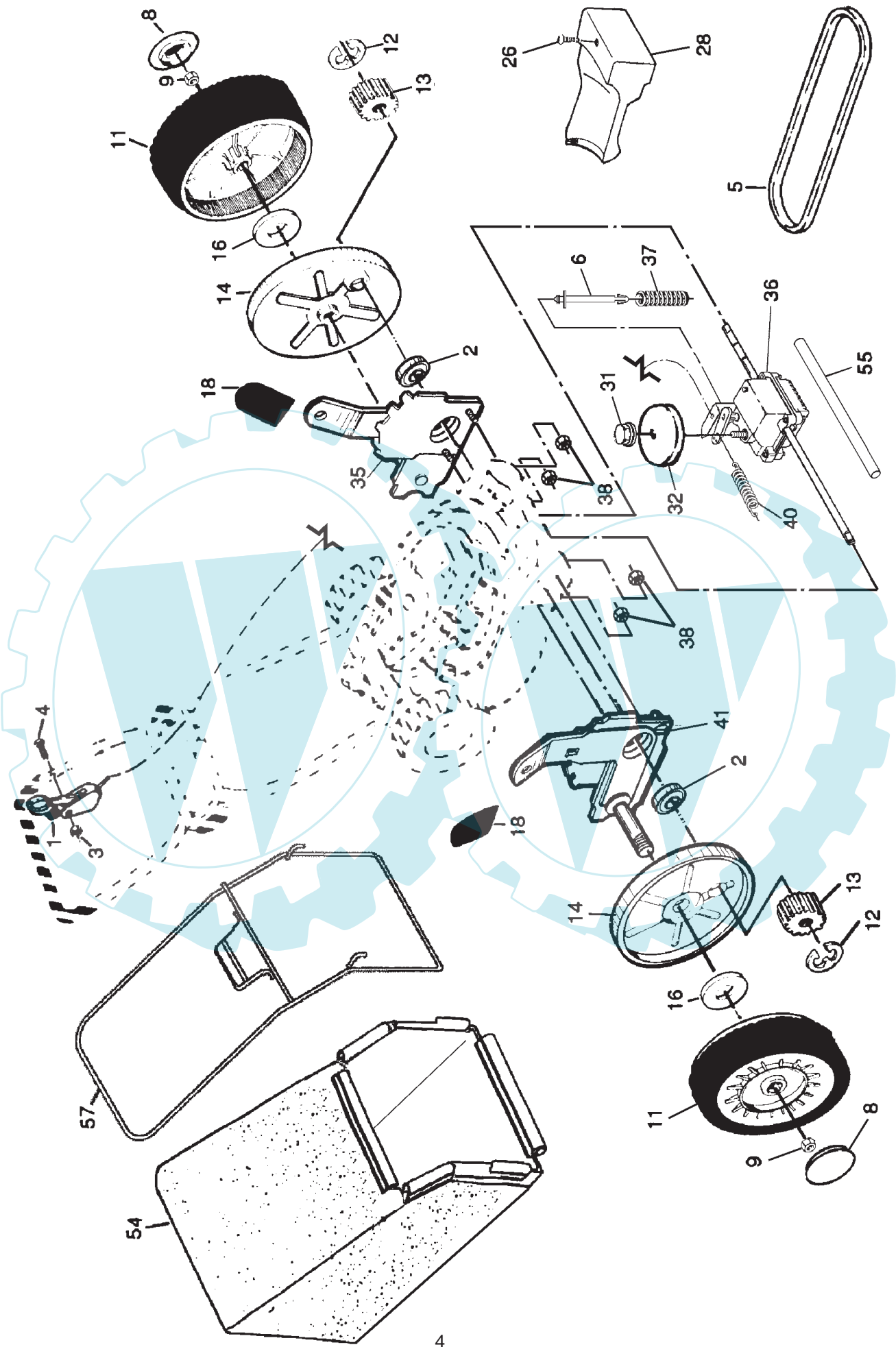


KEY NO.	PART NO.	DESCRIPTION
1	532 17 76-98	Upper Handle
2	532 18 52-42	Control Bar
3	532 13 08-61	Engine Control Cable
6	532 17 01-46	Handle Knob
7	532 13 20-04	Locknut 1/4-20
9	532 17 09-47	Rear Door Kit (Includes Key #68 and #69)
10	532 12 84-15	Pop Rivet
11	532 15 00-50	Self Tapping Screw #10-24
12	532 05 45-83	Hex Tapping Screw 1/4-20 x 1/2
13	532 14 49-29	Hex Washer Head Screw 1/4-20 x 3.0
14	532 18 68-17	Back Plate
15	532 13 88-60	Side Baffle
16	532 17 71-33	Discharge Baffle
17	532 14 89-41	Rear Baffle
20	532 14 76-25	Footguard
21	532 16 66-49	Mulcher Plug
22	532 08 45-96	Engine Pulley
23	532 08 76-77	Hi-Pro Key #505
25	532 08 39-23	Nut
27	532 16 76-28	Wheel & Tire Assembly
28	532 14 27-48	Shoulder Bolt 3/8-16
29	532 06 23-35	Belleville Washer
30	532 14 98-37	Axle Arm Assembly
31	532 17 01-43	Selector Knob
32	532 14 17-30	Selector Spring
34	532 14 66-30	Spacer
35	532 15 50-47	Wheel Adjusting Bracket
37	532 15 00-78	Thread Cutting Screw 5/16-18 x 3/4
39	532 18 68-19	Handle Bracket Assembly (Left)
40	532 18 68-18	Handle Bracket Assembly (Right)
41	532 15 04-06	Hex Head Thread Rolling Screw 3/8-16 x 1-1/8
44	532 18 52-45	Lawn Mower Housing (Includes Key Numbers 14, 15, 17, 51 and 52)

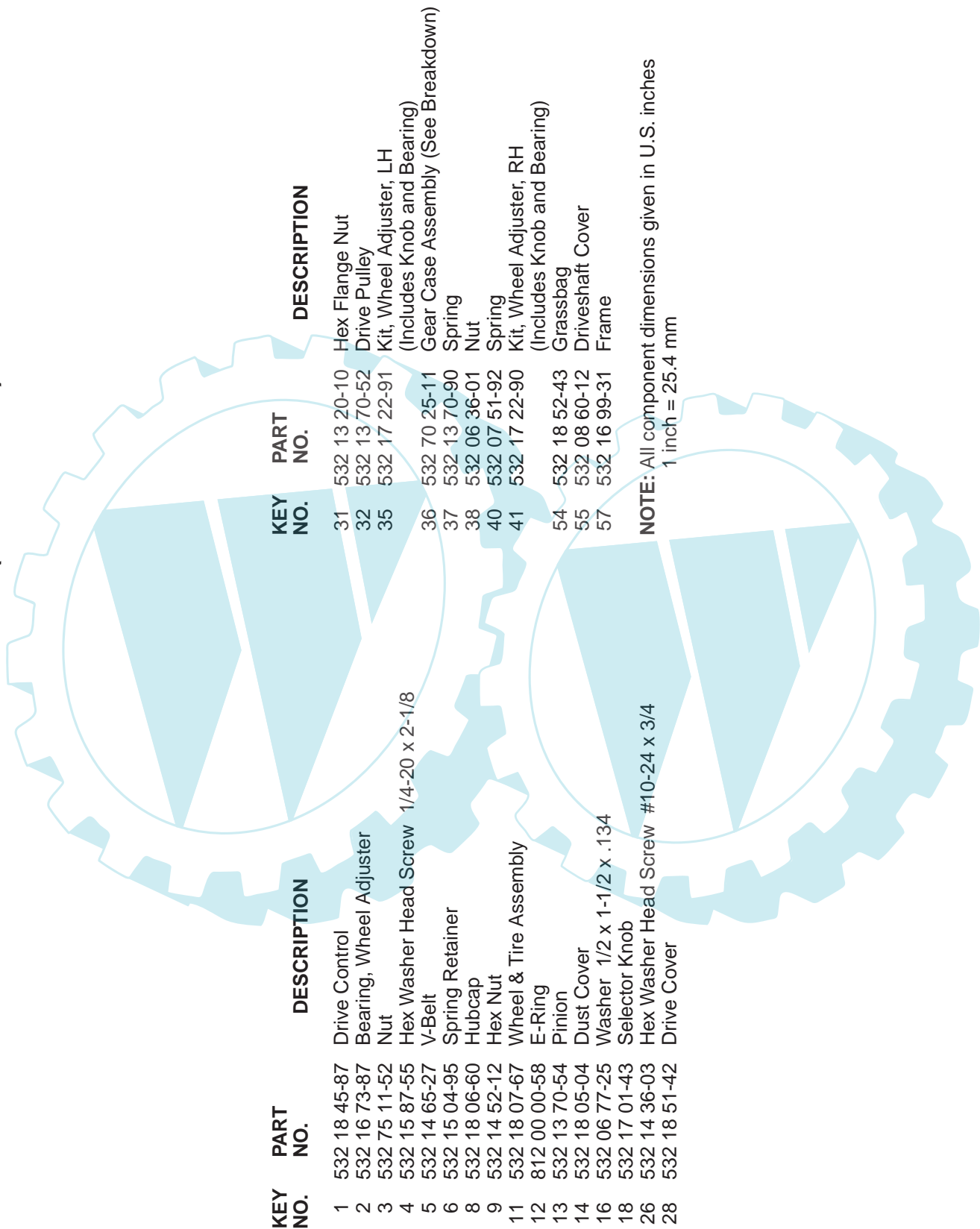
KEY NO.	PART NO.	DESCRIPTION
45	532 14 66-94	Screw
46	532 85 15-14	Blade Adapter
47	532 14 11-14	Blade 22"
48	532 85 10-74	Hardened Washer
49	532 85 02-63	Helical Washer 3/8-24 x 1-3/8 Grd. 8
50	532 85 10-84	Hex Head Machine Screw 3/8-24 x 1-3/8 Grd. 8
51	532 17 04-91	Front Baffle Kit
52	532 18 21-66	Danger Decal
55	532 75 15-92	Locknut 3/8-16
56	532 08 86-52	Screw
57	532 05 17-93	Hairpin Cotter
58	532 15 50-44	Lower Handle
59	532 13 19-59	Handle Bolt
61	532 17 95-85	Rope Guide
62	532 18 20-02	Debris Shield
64	---	Engine, Briggs & Stratton Model Number 12H802 (Order parts from Engine Manufacturer)
66	817 60 04-06	Screw Hex Serated 1/4 x 20 TT
68	532 17 09-38	Spring, LH
69	532 17 09-39	Spring, RH
70	532 18 41-93	Bolt (2)
74	532 06 64-26	Wire tie
75	532 18 06-60	Hub Cap
76	532 17 02-94	Throttle Control
77	532 08 57-23	Washer, flat 28 x 62 x .06
78	532 11 11-90	Cable Clamp
79	532 08 38-16	Screw #10 x 5/8
--	532 18 21-34	Decal, Warning (not shown)
--	532 18 52-50	Operator's Manual, European
--	532 18 52-51	Operator's Manual, Scandinavian

NOTE: All component dimensions given in U.S. inches
1 inch = 25.4 mm

ROTARY LAWN MOWER - - MODEL NUMBER PM655FWG (PM655FWGA) PRODUCT NUMBER 964 79 57-00



ROTARY LAWN MOWER - - MODEL NUMBER PM655FWG (PM655FWGA) PRODUCT NUMBER 964 79 57-00



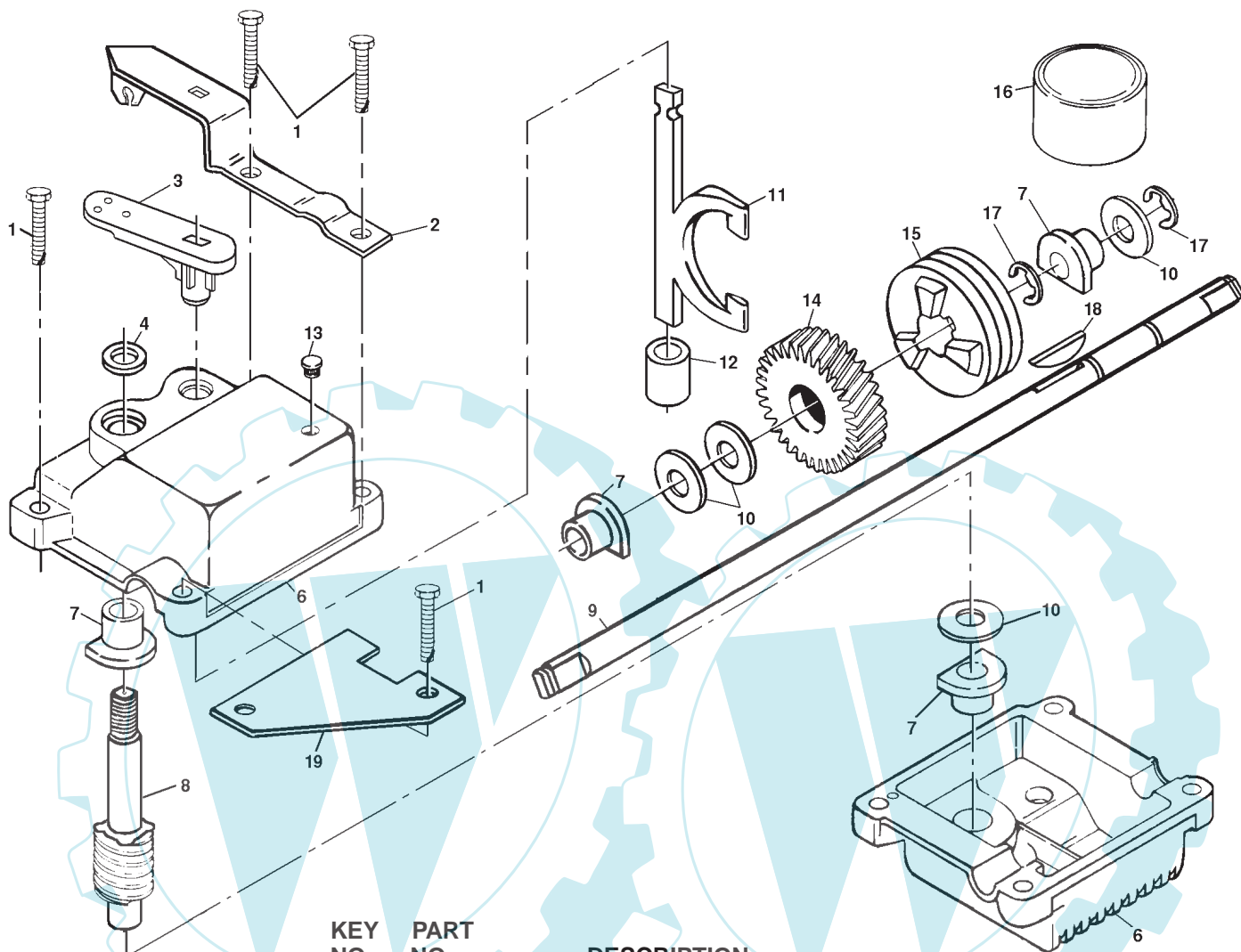
KEY NO.	PART NO.	DESCRIPTION	KEY NO.	PART NO.	DESCRIPTION
1	532 18 45-87	Drive Control	31	532 13 20-10	Hex Flange Nut
2	532 16 73-87	Bearing, Wheel Adjuster	32	532 13 70-52	Drive Pulley
3	532 75 11-52	Nut	35	532 17 22-91	Kit, Wheel Adjuster, LH (Includes Knob and Bearing)
4	532 15 87-55	Hex Washer Head Screw 1/4-20 x 2-1/8	36	532 70 25-11	Gear Case Assembly (See Breakdown)
5	532 14 65-27	V-Belt	37	532 13 70-90	Spring
6	532 15 04-95	Spring Retainer	38	532 06 36-01	Nut
8	532 18 06-60	Hubcap	40	532 07 51-92	Spring
9	532 14 52-12	Hex Nut	41	532 17 22-90	Kit, Wheel Adjuster, RH (Includes Knob and Bearing)
11	532 18 07-67	Wheel & Tire Assembly	54	532 18 52-43	Grassbag
12	812 00 00-58	E-Ring	55	532 08 60-12	Driveshaft Cover
13	532 13 70-54	Pinion	57	532 16 99-31	Frame
14	532 18 05-04	Dust Cover			
16	532 06 77-25	Washer 1/2 x 1-1/2 x .134			
18	532 17 01-43	Selector Knob			
26	532 14 36-03	Hex Washer Head Screw #10-24 x 3/4			
28	532 18 51-42	Drive Cover			

NOTE: All component dimensions given in U.S. inches
1 inch = 25.4 mm

ROTARY LAWN MOWER - - MODEL NUMBER PM655FWG (PM655FWGA)

PRODUCT NUMBER 964 79 57-00

GEAR CASE ASSEMBLY - PART NUMBER 532 70 25-11



KEY NO.	PART NO.	DESCRIPTION
1	817 49 04-16	Tapping Screw 1/4-20 x 1-1/4
2	532 14 02-69	Engagement Bracket
3	532 13 70-53	Shifter
4	532 05 70-72	Seal
6	532 04 83-73	Gear Case Halves Kit (Includes Key Numbers 4 and 7)
7	532 07 78-81	Bearing
8	532 13 70-51	Worm Shaft
9	532 13 70-74	Drive Shaft
10	532 05 70-79	Hardened Washer
11	532 13 14-84	Clutch Yoke
12	532 70 03-43	Bushing
13	532 08 64-47	Plug
14	532 13 70-50	Helical Gear
15	532 75 04-36	Clutch Jaw
16	532 75 03-69	Grease
17	812 00 00-03	E-Ring
18	532 85 08-48	Hi-Pro Key
19	532 12 54-41	Spring Bracket
--	532 04 83-67	Kit, Gearcase (Includes Instructions)

NOTE: All component dimensions given in U.S. inches.
1 inch = 25.4 mm